

Notice: This document contains information proprietary to and is protected by copyright of Win-Dor Inc. and shall not be copied, disclosed to others, or used for any purpose other than that for which it is given, without the written permission of Win-Dor Inc.

WINDOR
www.windorsystems.com

450 Delta Ave
Brea, Ca 92821
(714) 385-1202

Project:

File name: 1750 Section View - LHC over PW - 1.375 inch Nail-fin

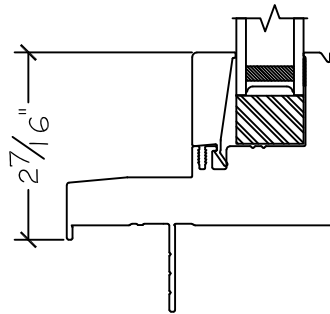
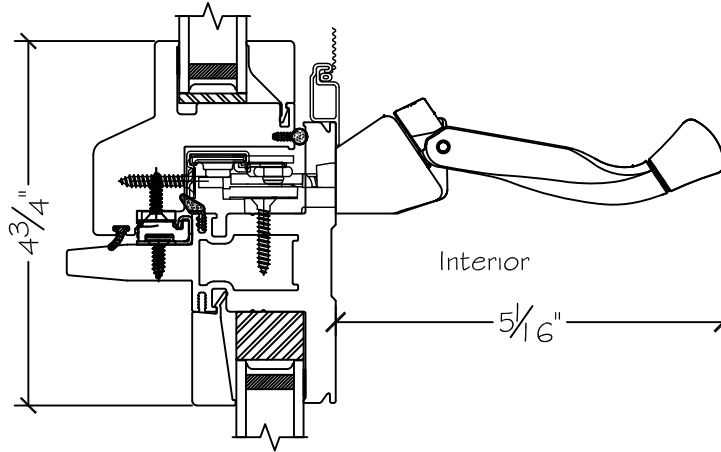
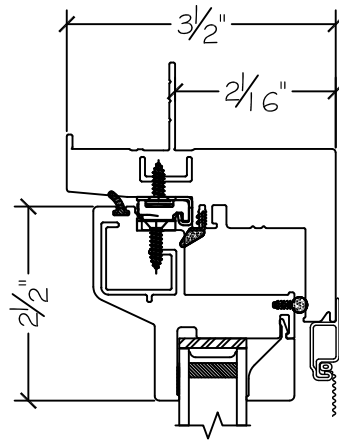
Date: 20190816

Notes:

Layout: Horizontal Section View

Drawn by: J Johnson

Exterior



Notice: This document contains information proprietary to and is protected by copyright of Win-Dor Inc. and shall not be copied, disclosed to others, or used for any purpose other than that for which it is given, without the written permission of Win-Dor Inc.



450 Delta Ave
Brea, Ca 92821
(714) 385-1202

Project:

File name: 1750 Section View - LHC over PW - 1.375 inch Nail-fin

Date: 20190816

Notes:

Layout: Vertical Section View

Drawn by: J Johnson