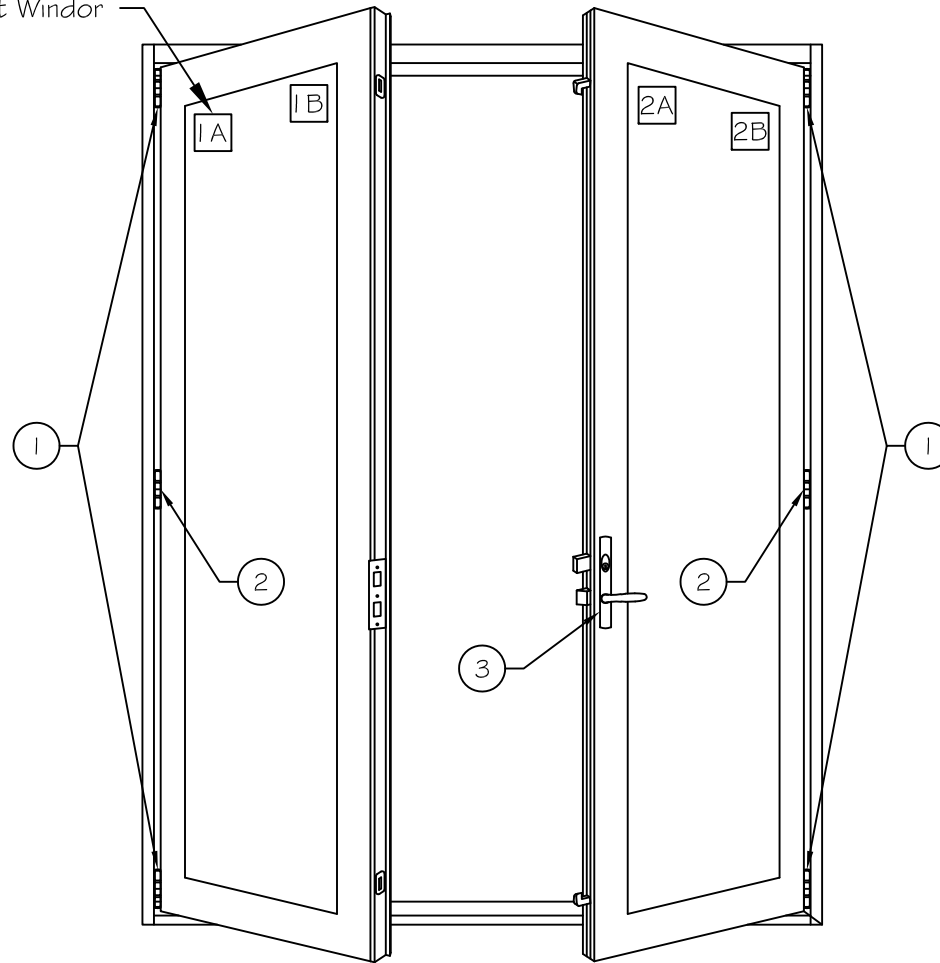


*Panels labeled at Windor



*Door as viewed from the exterior

Folding Door Parts

Qty.	Description	Qty.	Description
1	2	E3 CPS Pivot Set	
2	2	E3 WPS Middle Wall Pivot (used with doors over 90" Height)	
3	1	Hardware Set	

Project:	File name: 3750 Folding Door Parts - Doors 6'-8' Height	Date: 20190813
Notes:	Layout: 2.1.1P	Drawn by: J Johnson

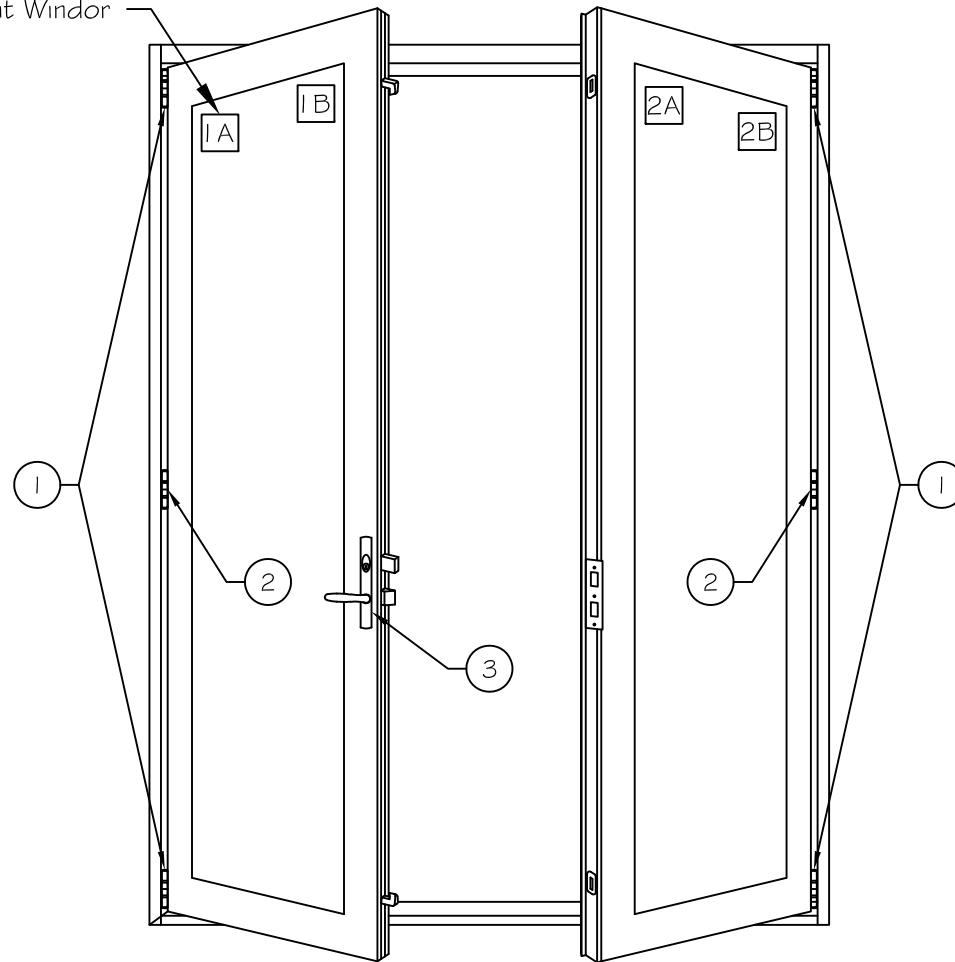


Notice: This document contains information proprietary to and is protected by copyright of Win-Dor Inc. and shall not be copied, disclosed to others, or used for any purpose other than that for which it is given, without the written permission of Win-Dor Inc.

450 Delta Ave
Brea, Ca 92821
(714) 385-1202

www.windorsystems.com

*Panels labeled at Windor



*Door as viewed from the exterior

Folding Door Parts

Qty.	Description	Qty.	Description
1	2	E3 CPS Pivot Set	
2	2	E3 WPS Middle Wall Pivot (used with doors over 90" Height)	
3	1	Hardware Set	

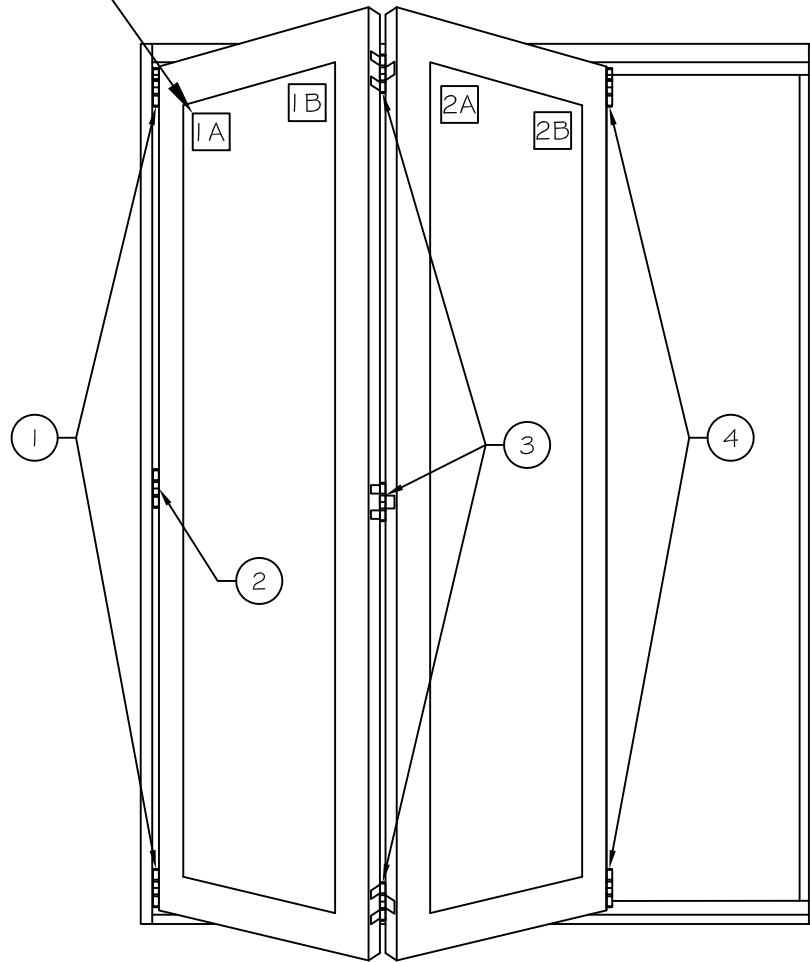
Project:	File name: 3750 Folding Door Parts - Doors 6'-8' Height	Date: 20190813
Notes:	Layout: 2.I.P.1	Drawn by: J Johnson

450 Delta Ave
Brea, Ca 92821
(714) 385-1202



Notice: This document contains information proprietary to and is protected by copyright of Win-Dor Inc. and shall not be copied, disclosed to others, or used for any purpose other than that for which it is given, without the written permission of Win-Dor Inc.

*Panels labeled at Windor



*Door as viewed from the exterior

Folding Door Parts

Qty.	Description	Qty.	Description
1	E3 CPS Pivot Set		
2	E3 WPS Middle Wall Pivot (used with doors over 90" Height)		
3	E3 HSS Flat Hinge Set with Handle		
4	E3 CRC5 Right Carrier Set		

Project:

File name: 3750 Folding Door Parts - Doors 6'-8' Height

Date: 20190813

Notes:

Layout: 2.2.0

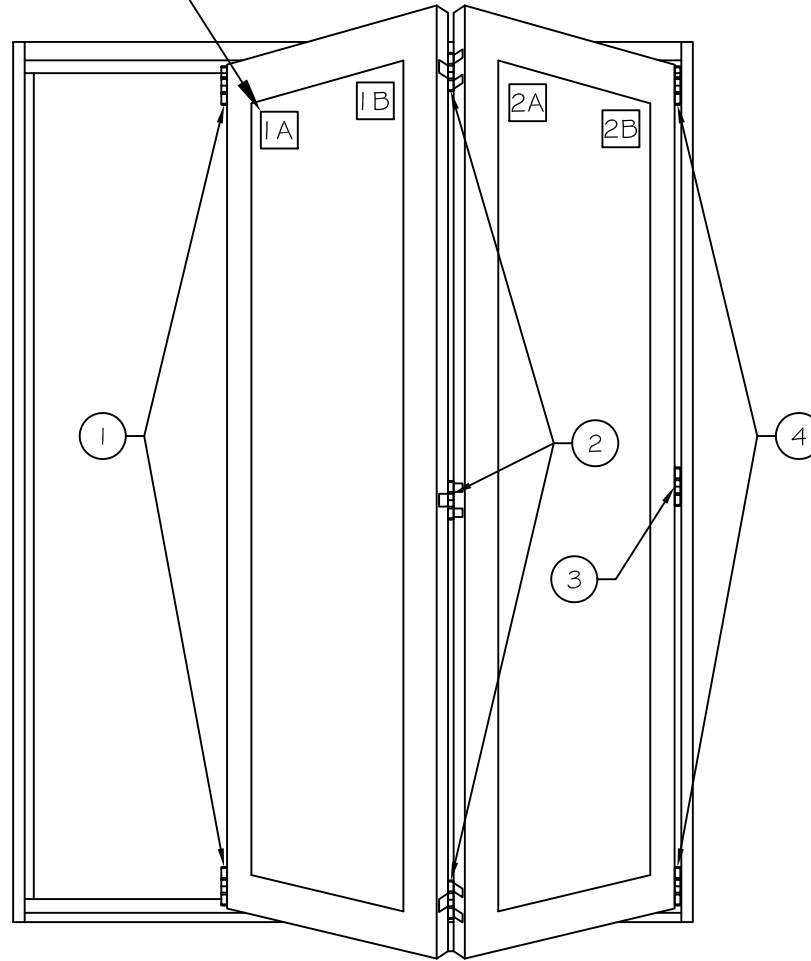
Drawn by: J Johnson

Notice: This document contains information proprietary to and is protected by copyright of Win-Dor Inc. and shall not be copied, disclosed to others, or used for any purpose other than that for which it is given, without the written permission of Win-Dor Inc.



450 Delta Ave
Brea, Ca 92821
(714) 385-1202

*Panels labeled at Windor



*Door as viewed from the exterior

Folding Door Parts

Qty.	Description	Qty.	Description
1	E3 CLCS Left Carrier Set		
2	E3 HHS Flat Hinge Set with Handle		
3	E3 WPS Middle Wall Pivot (used with doors over 90" Height)		
4	E3 CPS Pivot Set		

Project:	File name: 3750 Folding Door Parts - Doors 6'-8' Height	Date: 20200110
Notes:	Layout: 2.0.2	Drawn by: J Johnson

Notice: This document contains information proprietary to and is protected by copyright of Win-Dor Inc. and shall not be copied, disclosed to others, or used for any purpose other than that for which it is given, without the written permission of Win-Dor Inc.



450 Delta Ave
Brea, Ca 92821
(714) 385-1202