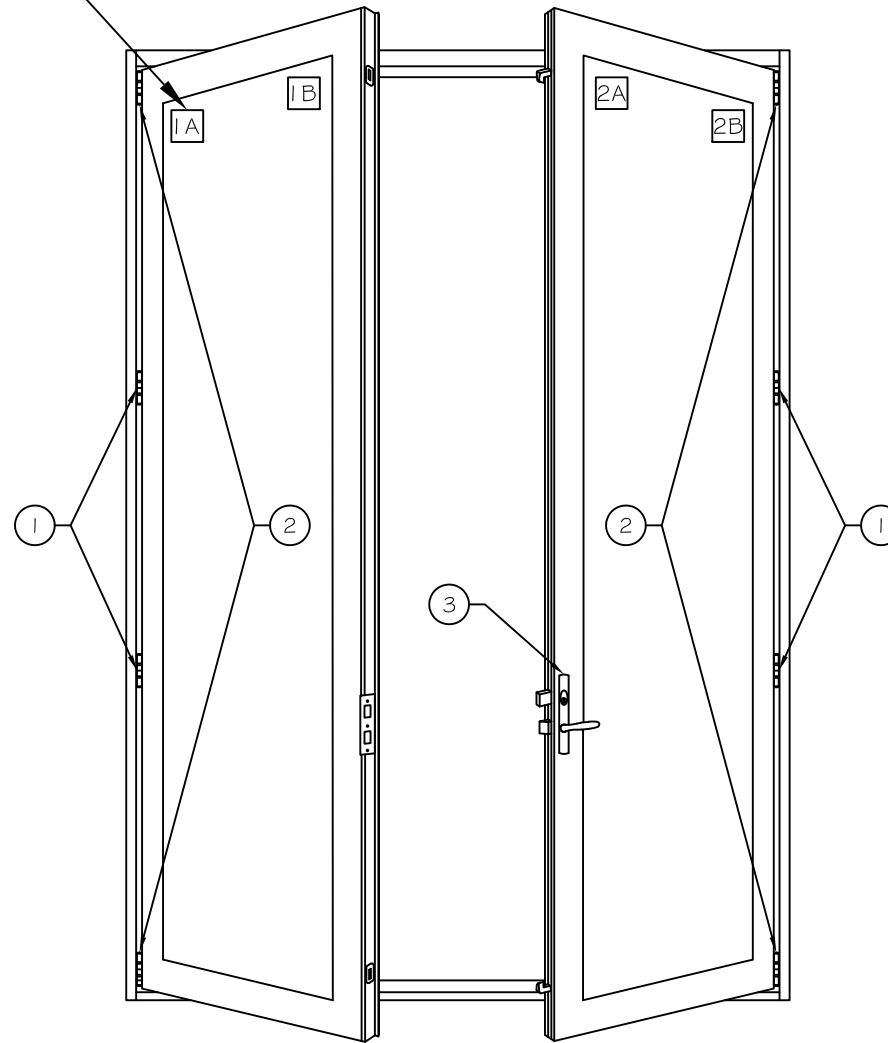


*Panels labeled at Windor



Folding Door Parts		
	Qty.	Description
1	4	E3 WPS Middle Wall Pivot (Second pivot used with doors over 100" Height)
2	2	E3 CPS Pivot Set
3	1	Hardware
4		
5		
6		

*Door as viewed from the exterior
 *No Exterior Access

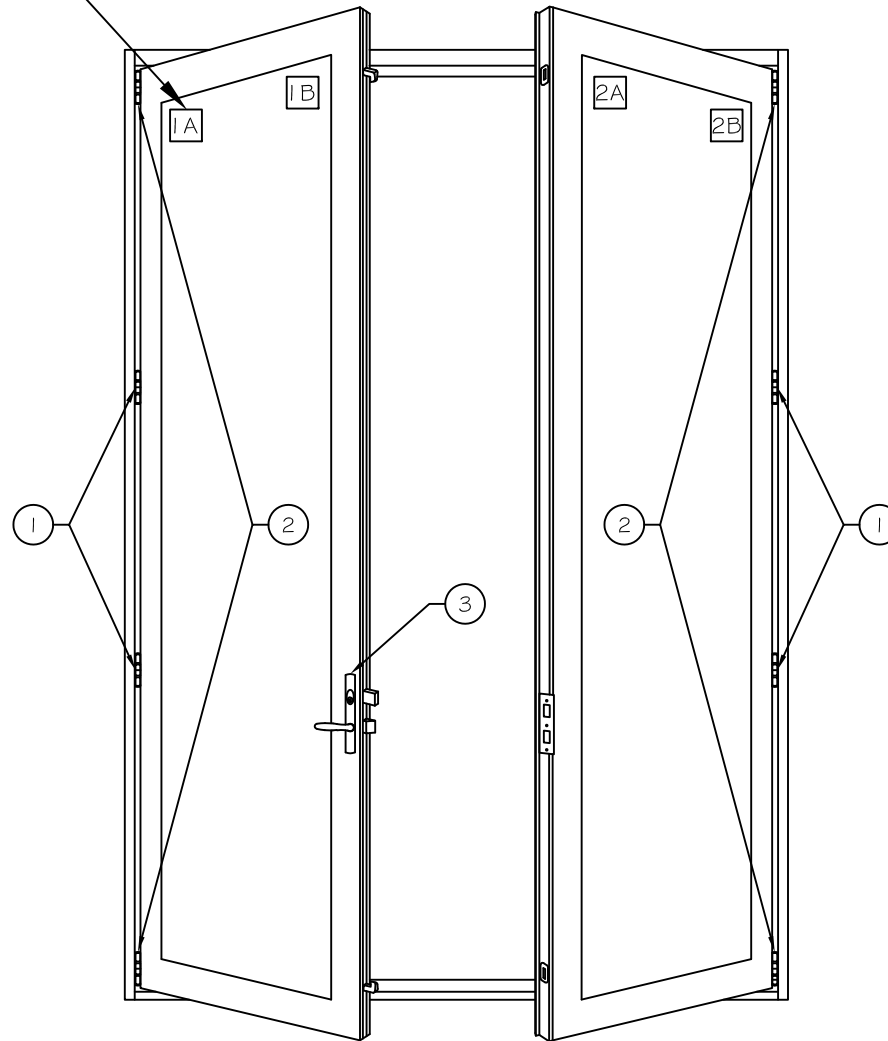
Project:	File name: 3750 Folding Door Parts - Doors 8'-9' Height	Date: 20200819
Notes:	Layout: 2.1.1P	Drawn by: J Johnson



Notice: This document contains information proprietary to and is protected by copyright of Win-Dor Inc. and shall not be copied, disclosed to others, or used for any purpose other than that for which it is given, without the written permission of Win-Dor Inc.

450 Delta Ave
 Brea, Ca 92821
 (714) 385-1202

*Panels labeled at Windor



Folding Door Parts

	Qty.	Description
1	4	E3 WPS Middle Wall Pivot (Second pivot used with doors over 100" Height)
2	2	E3 CPS Pivot Set
3	1	Hardware
4		
5		
6		

*Door as viewed from the exterior

*No Exterior Access

Notice: This document contains information proprietary to and is protected by copyright of Win-Dor Inc. and shall not be copied, disclosed to others, or used for any purpose other than that for which it is given, without the written permission of Win-Dor Inc.



450 Delta Ave
Brea, Ca 92821
(714) 385-1202

Project:

File name: 3750 Folding Door Parts - Doors 8'-9' Height

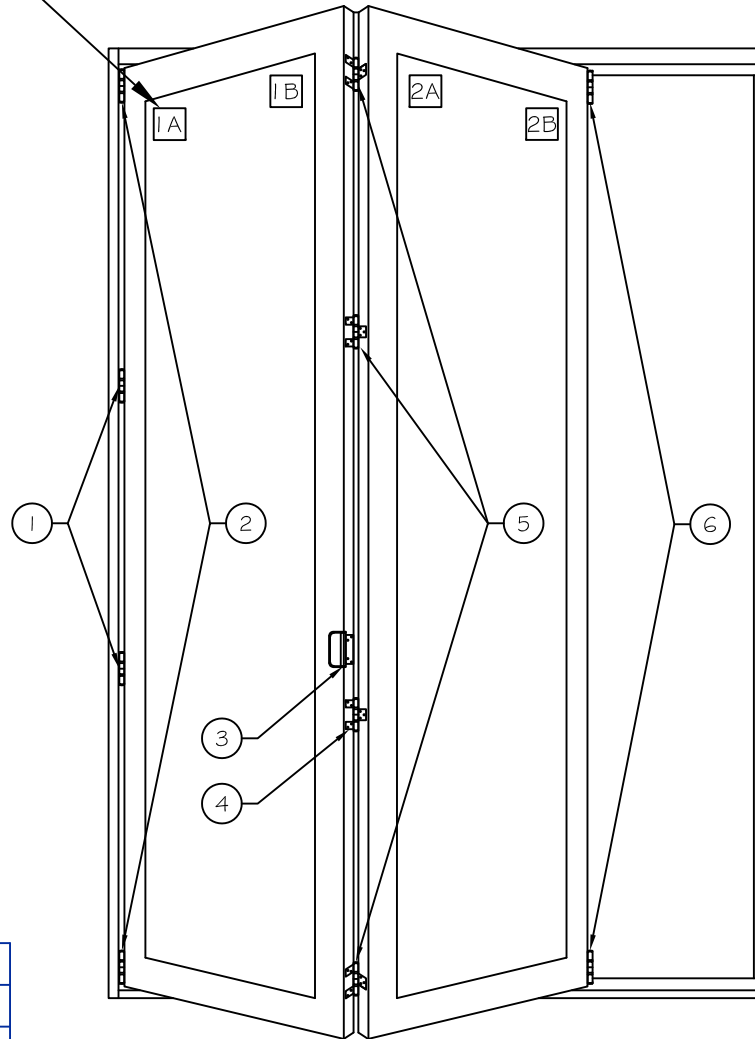
Date: 20200819

Notes:

Layout: 2.I.P.1

Drawn by: J Johnson

*Panels labeled at Windor



Folding Door Parts

Qty.	Description
1	2 E3 WPS Middle Wall Pivot (Second pivot used with doors over 100" Height)
2	1 E3 CPS Pivot Set
3	1 E3 HOL Handle Only
4	1 E3 HNHS Flat Hinge with No Handle
5	1 E3 HNHS Flat Hinge Set with No Handle
6	1 E3 CRCS Right Carrier Set

*Door as viewed from the exterior

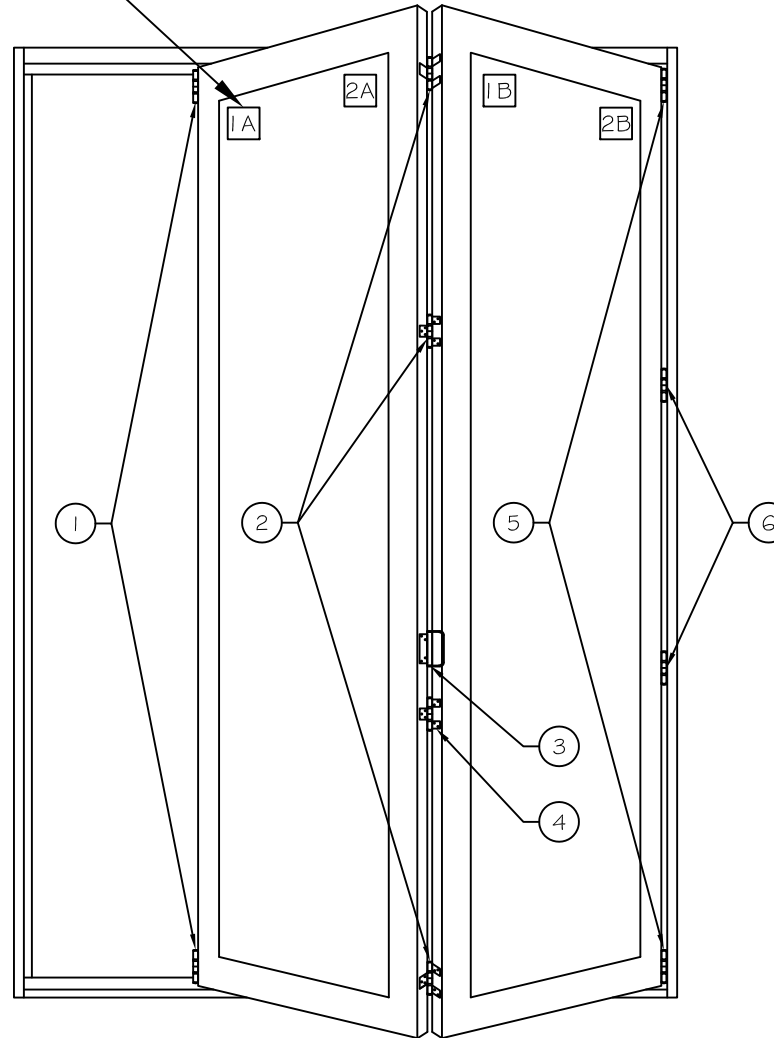
Notice: This document contains information proprietary to and is protected by copyright of Win-Dor Inc. and shall not be copied, disclosed to others, or used for any purpose other than that for which it is given, without the written permission of Win-Dor Inc.



450 Delta Ave
Brea, Ca 92821
(714) 385-1202

Project:	File name: 3750 Folding Door Parts - Doors 8'-9' Height	Date: 20200819
Notes:	Layout: 2.2.0	Drawn by: J Johnson

*Panels labeled at Windor



Folding Door Parts

Qty.	Description
1	E3 CLCS Left Carrier Set
2	E3 HNHS Flat Hinge Set with No Handle
3	E3 HOL Handle Only
4	E3 HNHS Flat Hinge with No Handle
5	E3 CPS Pivot Set
6	E3 WPS Middle Wall Pivot (Second pivot used with doors over 100" Height)

*Door as viewed from the exterior
*No Exterior Access

Notice: This document contains information proprietary to and is protected by copyright of Win-Dor Inc. and shall not be copied, disclosed to others, or used for any purpose other than that for which it is given, without the written permission of Win-Dor Inc.



450 Delta Ave
Brea, Ca 92821
(714) 385-1202

Project:

File name: 3750 Folding Door Parts - Doors 8'-9' Height

Date: 20200819

Notes:

Layout: 2.0.2

Drawn by: J Johnson