

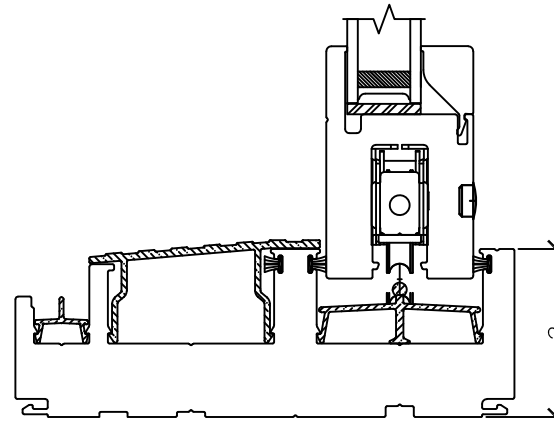
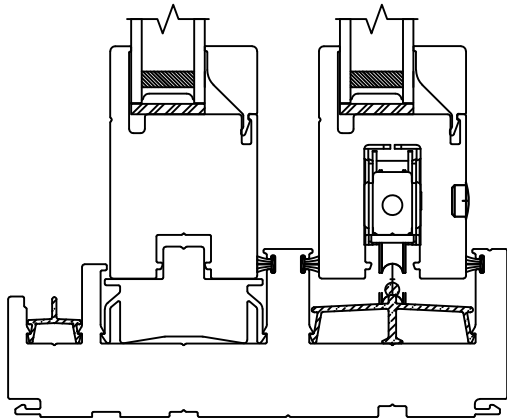
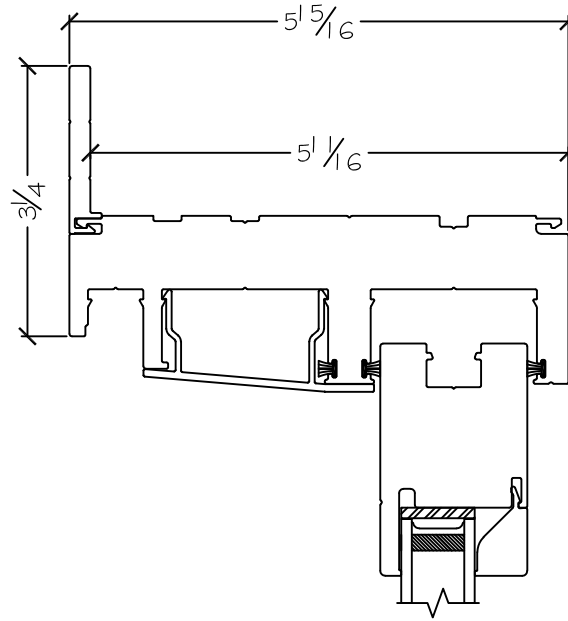
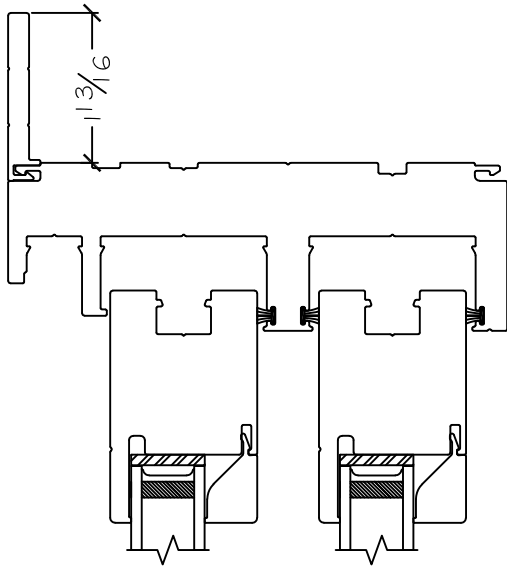
*Upgraded Signatue Series Handle

Notice: This document contains information proprietary to and is protected by copyright of Win-Dor Inc. and shall not be copied, disclosed to others, or used for any purpose other than that for which it is given, without the written permission of Win-Dor Inc.

WINDOR
www.windorsystems.com

450 Delta Ave
Brea, Ca 92821
(714) 385-1202

| | | |
|----------|---|---------------------|
| Project: | File name: 2750 Patio Door - Section Views - OXXO Retro Fin | Date: 20220815 |
| Notes: | Layout: Horizontal Section View | Drawn by: J Johnson |



Notice: This document contains information proprietary to and is protected by copyright of Win-Dor Inc. and shall not be copied, disclosed to others, or used for any purpose other than that for which it is given, without the written permission of Win-Dor Inc.

WINDOR
www.windorsystems.com

450 Delta Ave
Brea, Ca 92821
(714) 385-1202

Project:

File name: 2750 Patio Door - Section Views - OXXO Retro Fin

Date: 20220815

Notes:

Layout: Vertical Section View

Drawn by: J Johnson