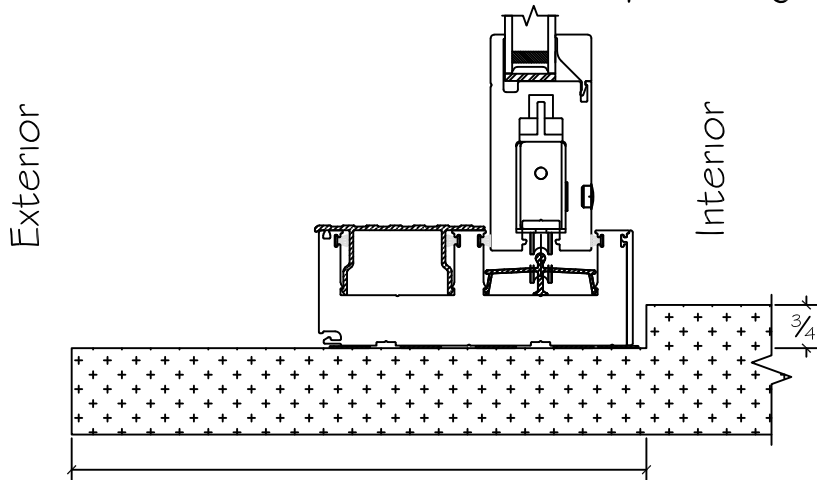


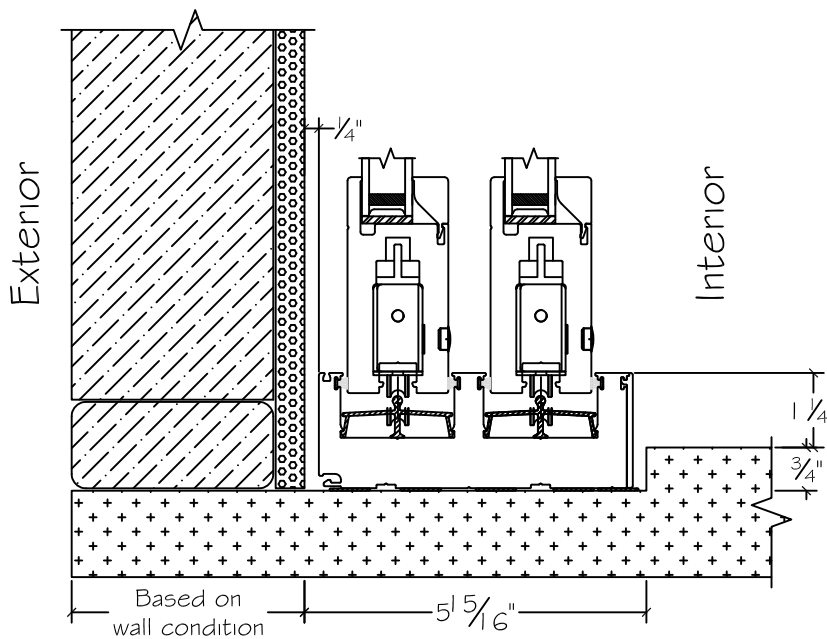
Optional Method

Section View at opening



The Dimension needed for the wall condition plus $5 \frac{5}{16}$ "

Section View at pocket



The pocket door sill has a height of 2". After creating sleeper height of 3/4" you will still have 1/4" for your finished floor. Please note that the overall dimension of the detail depends on the wall conditions of the building. It is important to shim or space the door an 1/4" from the finished exterior wall. Because the interior side of the exterior wall is typically finished it is critical that a pan or membrane system is being used in order to keep water away from the finished substrate. The pan or membrane must fit within that 1/4" space between the exterior wall and the pocket door frame. $5 \frac{5}{16}$ " sleeper width does not take into account: pans, membranes & sealant provided by others.