

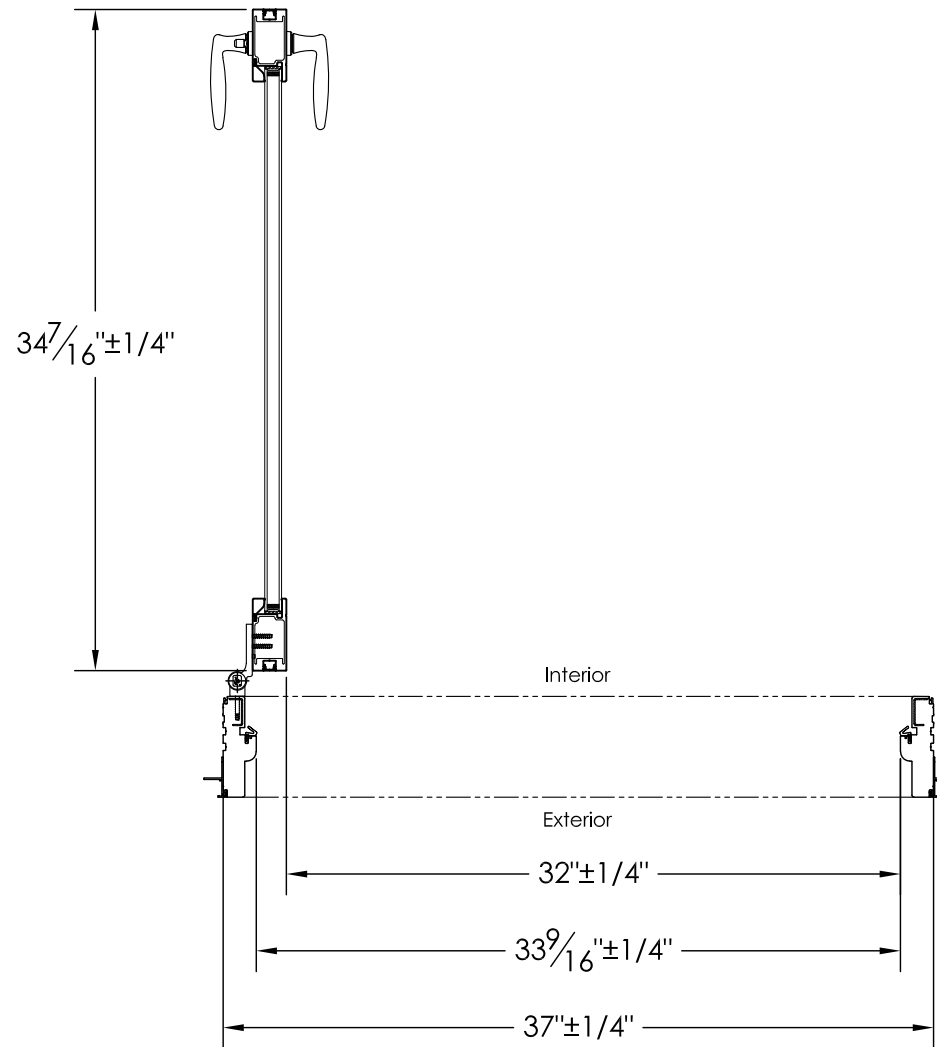
Exterior Elevation

450 Delta Ave  
 Brea, Ca 92821  
 (714) 385-1202



Notice: This document contains information proprietary to and is protected by copyright of Win-Dor Inc. and shall not be copied, disclosed to others, or used for any purpose other than that for which it is given, without the written permission of Win-Dor Inc.

<b>Project:</b>	<b>File name: 3750 Single Inswing SD - Hinged LT</b>	<b>Date: 20231114</b>
<b>Notes:</b>	<b>Layout: Swing Door SD HL - ADA Sill - Shop Drawing</b>	<b>Drawn by: D Deschner</b>



Horizontal Section View

Notice: This document contains information proprietary to and is protected by copyright of Win-Dor Inc. and shall not be copied, disclosed to others, or used for any purpose other than that for which it is given, without the written permission of Win-Dor Inc.



450 Delta Ave  
Brea, Ca 92821  
(714) 385-1202

**Project:**

**File name:** 3750 Single Inswing SD - Hinged LT

**Date:** 20231114

**Notes:**

**Layout:** FD Single Door ADA Minimum Requirement

**Drawn by:** D Deschner