

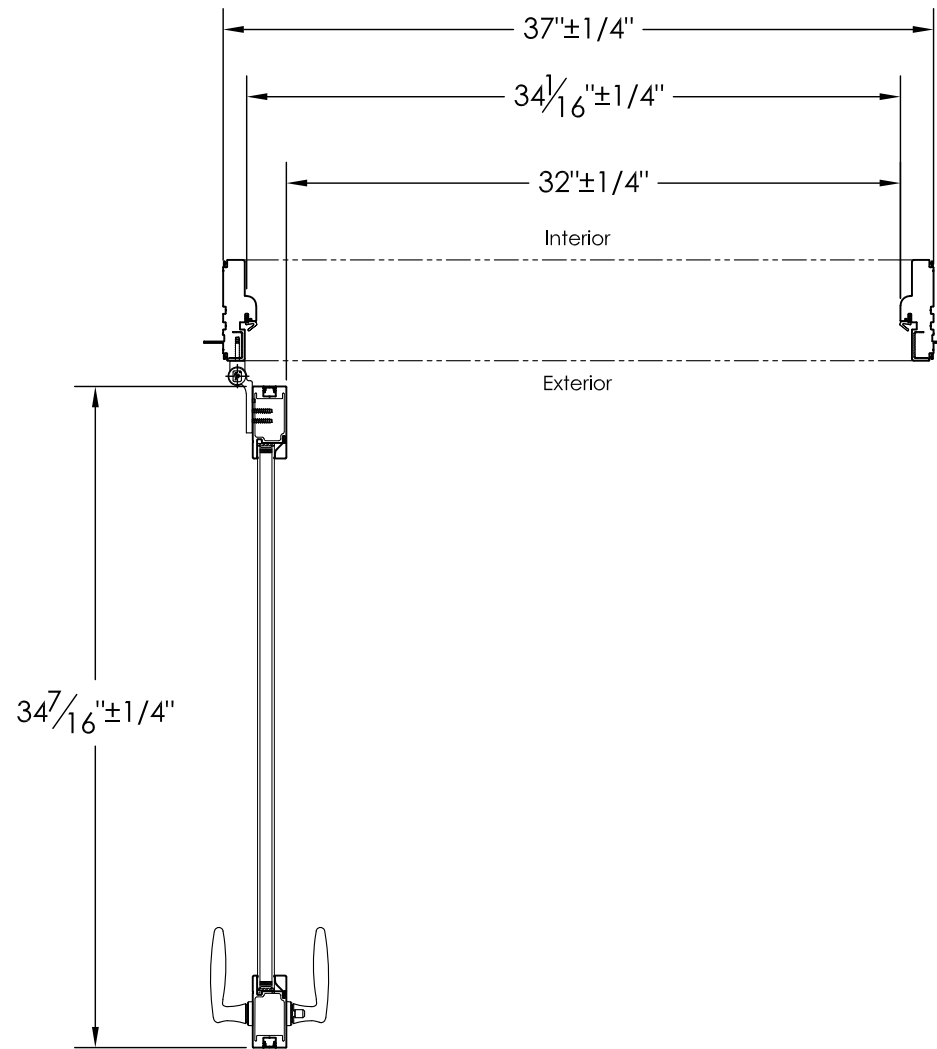
Exterior Elevation

450 Delta Ave
 Brea, Ca 92821
 (714) 385-1202



Notice: This document contains information proprietary to and is protected by copyright of Win-Dor Inc. and shall not be copied, disclosed to others, or used for any purpose other than that for which it is given, without the written permission of Win-Dor Inc.

Project:	File name: 3750 Single Outswing SD - Hinged LT	Date: 20231114
Notes:	Layout: Swing Door SD HL - ADA Sill - Shop Drawing	Drawn by: D Deschner



Horizontal Section View

450 Delta Ave
Brea, Ca 92821
(714) 385-1202



Notice: This document contains information proprietary to and is protected by copyright of Win-Dor Inc. and shall not be copied, disclosed to others, or used for any purpose other than that for which it is given, without the written permission of Win-Dor Inc.

Project:	File name: 3750 Single Outswing SD - Hinged LT	Date: 20231114
Notes:	Layout: FD Single Door ADA Minimum Requirement	Drawn by: D Deschner