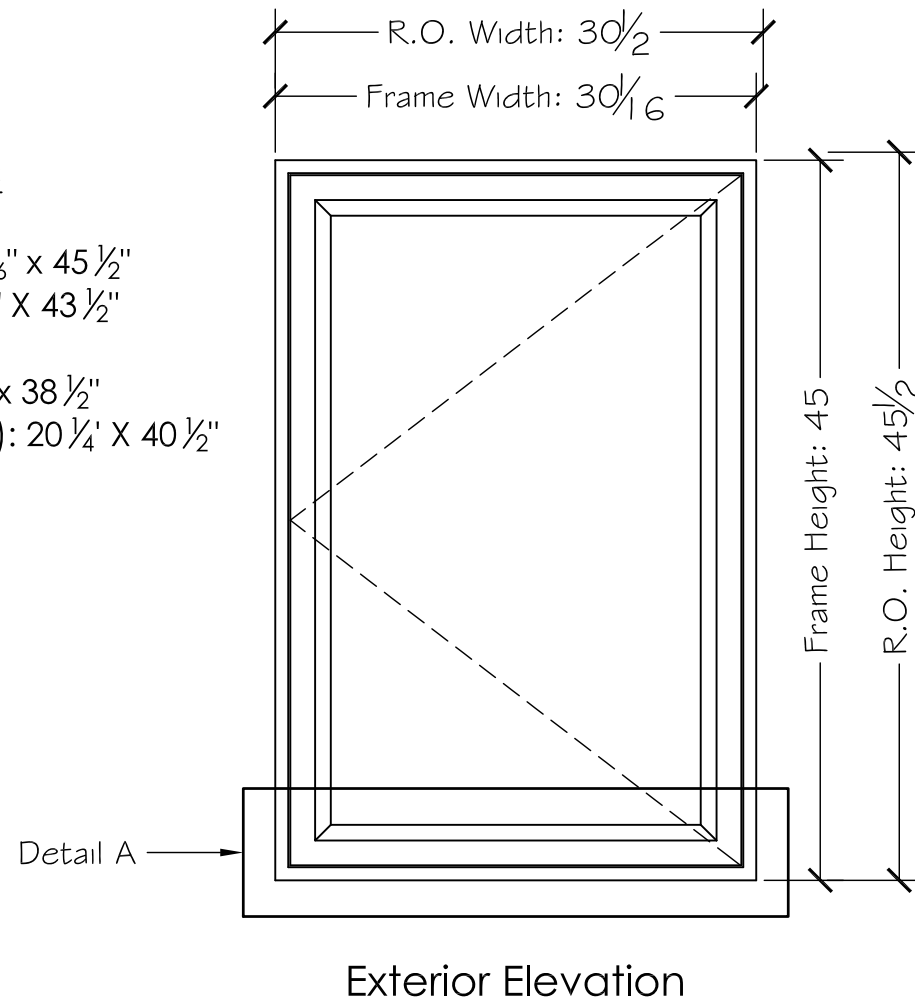


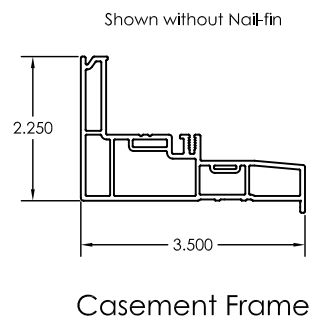
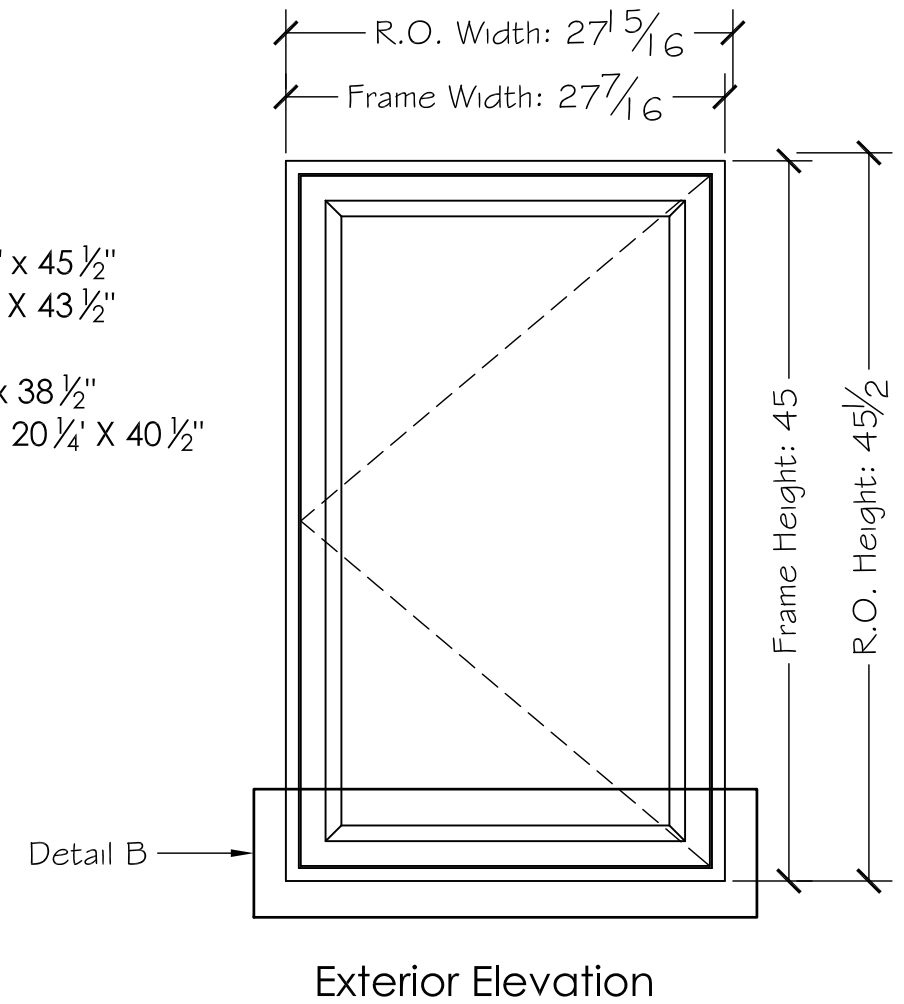
1750 Casement Dimensions

- *Frame Size: 30 1/16" x 45"
- *Rough Opening Size: 30 9/16" x 45 1/2"
- *LH Sash Size (+/- 1/4") : 28 9/16" X 43 1/2"
- *I.G. Size: 24 13/16" x 39 1/16"
- *Daylight Glass Size: 23 9/16" x 38 1/2"
- *Net Clear Opening (+/- 1/4") : 20 1/4" X 40 1/2"
- *Net Square Feet: 5.7

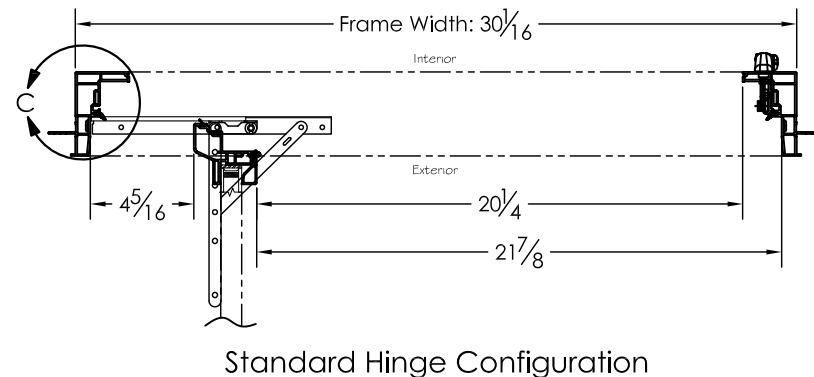


1750 Casement Dimensions

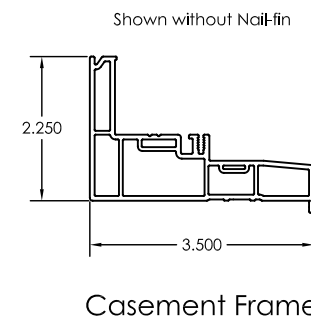
- *Frame Size: 27 7/16" x 45"
- *Rough Opening Size: 27 9/16" x 45 1/2"
- *LH Sash Size (+/- 1/4") : 25 15/16" X 43 1/2"
- *I.G. Size: 22 3/16" x 39 1/16"
- *Daylight Glass Size: 20 15/16" x 38 1/2"
- *Net Clear Opening (+/- 1/4") : 20 1/4" X 40 1/2"
- *Net Square Feet: 5.7



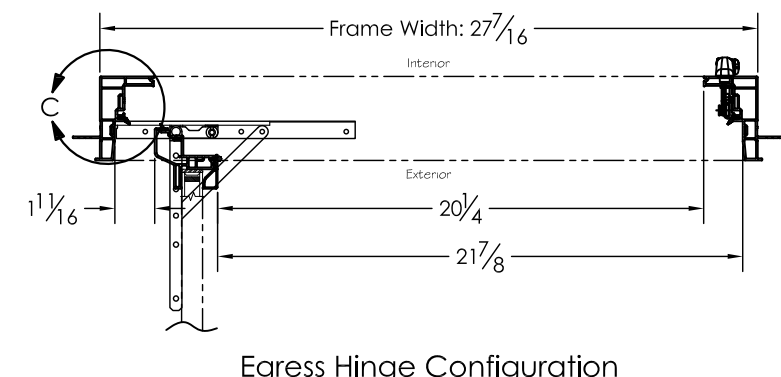
Detail C



Detail A



Detail C



Detail B

Project:	File Name: Minimum Casement Size to Meet Egress	Date: 20230214
Notes:	Layout: 1750 LHC 1-inch Nail-fin Shop Drawing	Drawn by: D Deschner